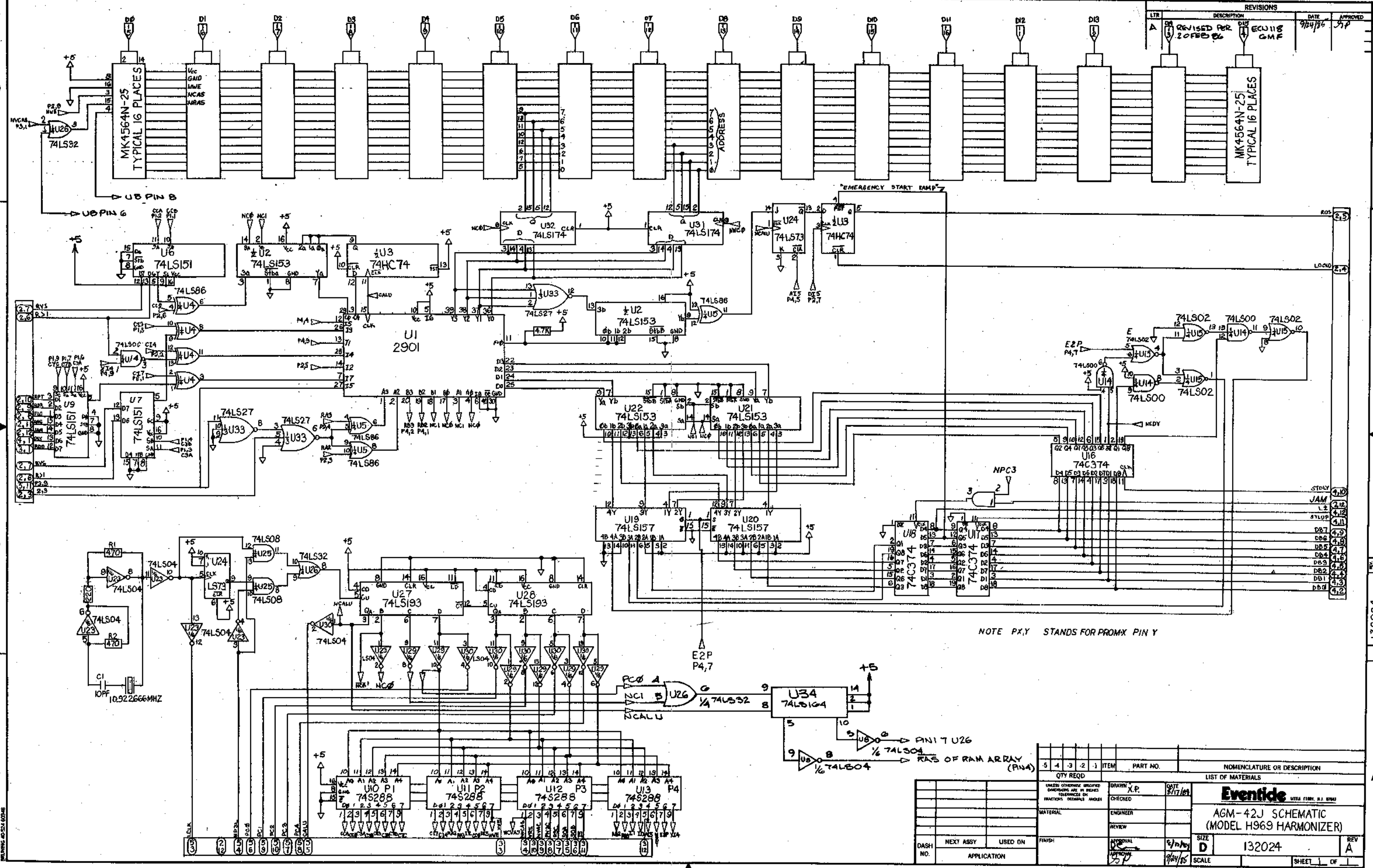


REVISIONS			
LTR	DESCRIPTION	DATE	APPROVED
A	REVISED PER ECU 118 GMF	7/24/76	JYP



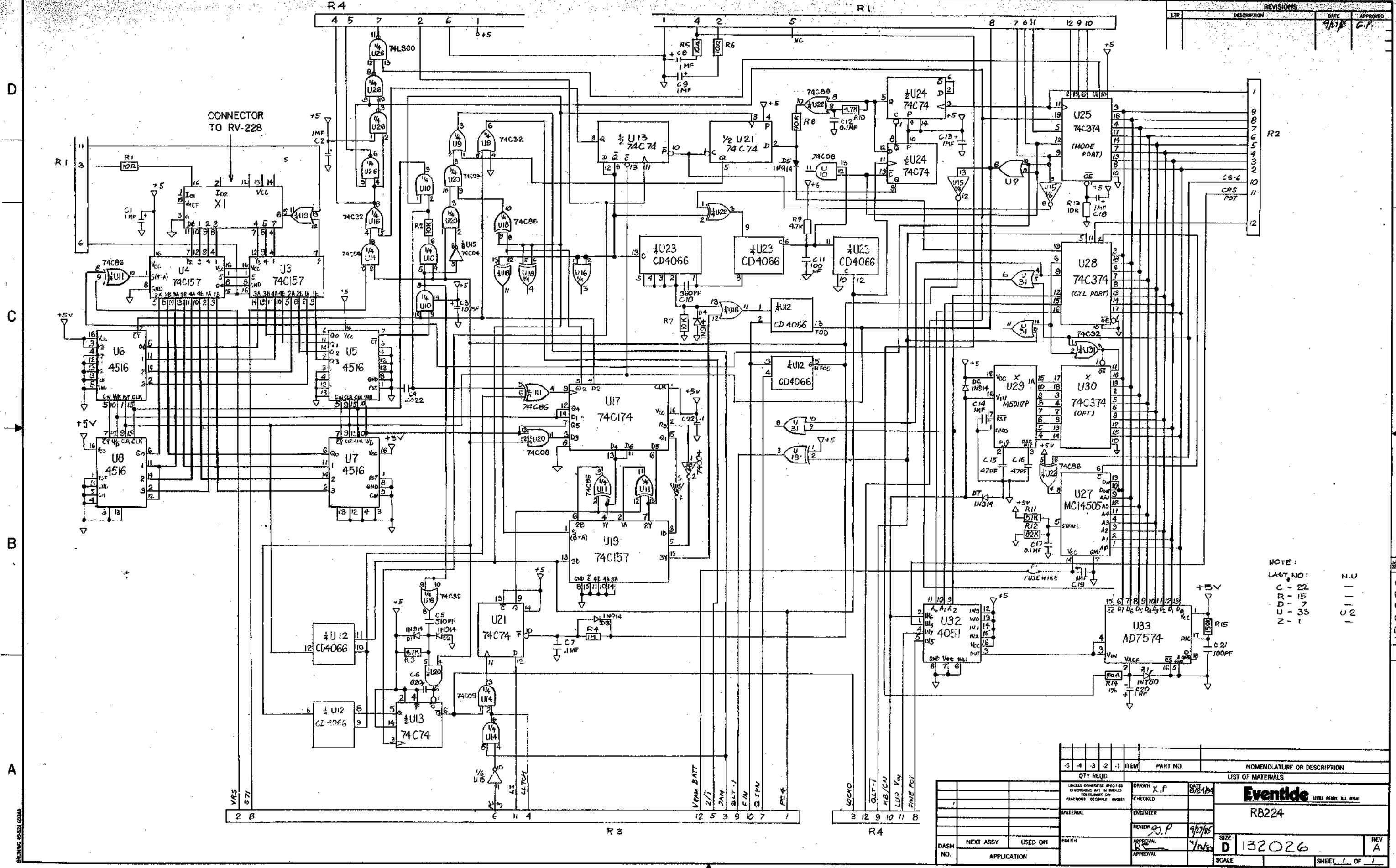
NOTE PXY STANDS FOR PROMX PIN Y

QTY REQD	5	4	3	2	1	ITEM	PART NO.	NOMENCLATURE OR DESCRIPTION

LIST OF MATERIALS	
DRAWN	DATE
X.P.	2/17/76
CHECKED	
ENGINEER	
REVIEW	
APPROVAL	7/24/76
	JYP
AGM-42J SCHEMATIC (MODEL H969 HARMONIZER)	
SIZE	REV
D	A
SCALE	SHEET 1 OF 1

132024

REVISIONS		
DESCRIPTION	DATE	APPROVED
	7/17/65	G.P.



NOTE:
 LAST NO:
 C - 22
 R - 15
 U - 33
 N - 1
 N.U.
 I U2

QTY REQD		PART NO.		NOMENCLATURE OR DESCRIPTION	
5	4	3	2	1	ITEM
LIST OF MATERIALS					
UNLESS OTHERWISE SPECIFIED DIMENSIONS ARE IN INCHES FRACTIONS DECIMAL ANGLES				DRAWN	X.P.
				CHECKED	
MATERIAL				ENGINEER	
NEXT ASSY				REVIEW	G.P.
USED ON				APPROVAL	7/27/65
FINISH				APPROVAL	7/27/65
APPLICATION				SCALE	

Eventide
 LITTLE FORT, N.J. 07411

RB224

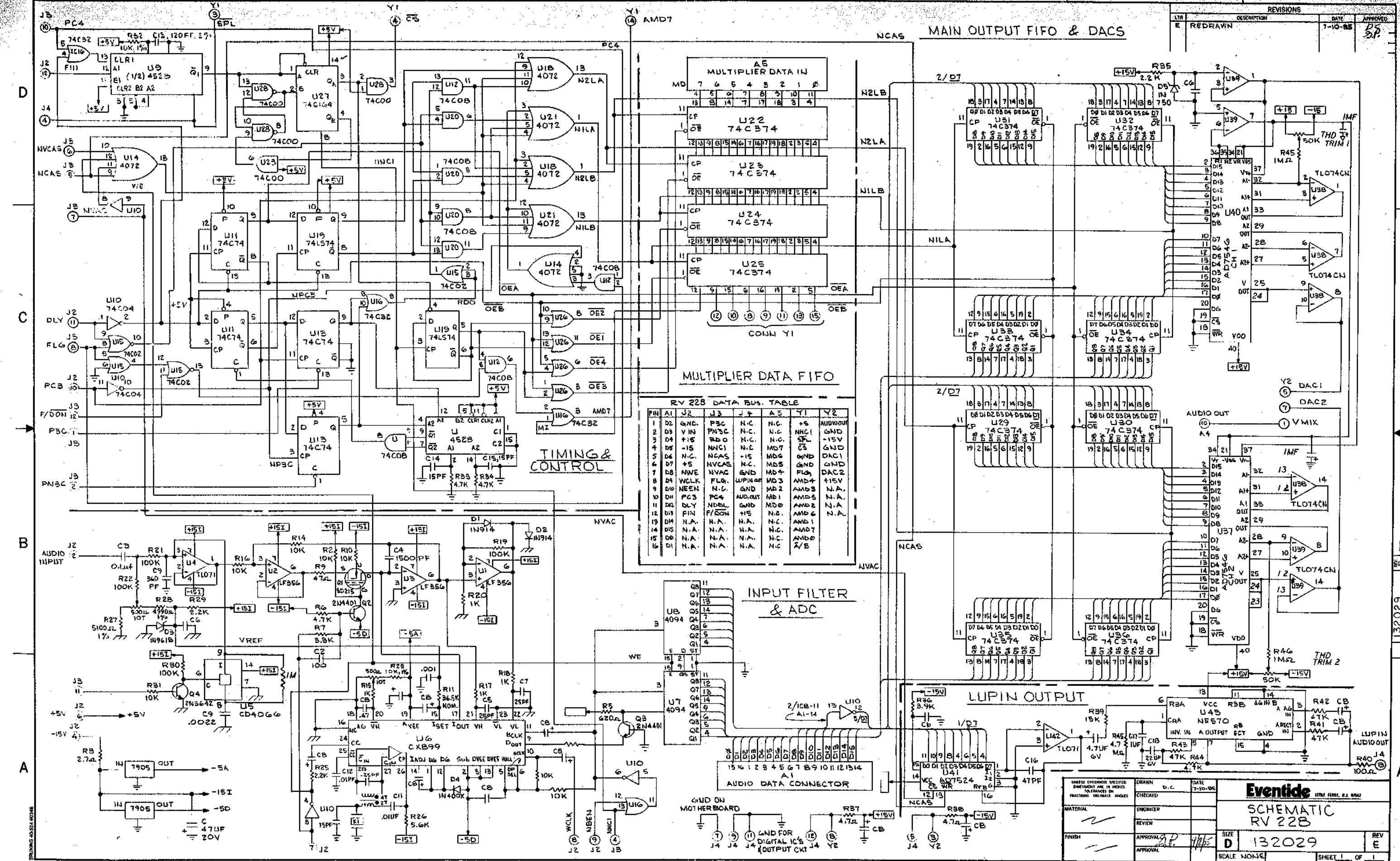
SIZE **D** 132026

REV **A**

132026

BRUNNEN 40551 0254

REV. NO.	DESCRIPTION	DATE	APPROVED
E	REDRAWN	7-10-85	D.S. S.P.



RV 228 DATA BUS TABLE

PIN	A1	J2	J3	J4	A5	Y1	Y2
1	D2	GND.	P3C	N.C.	N.C.	+5	AUDIOOUT
2	D3	V IN	P3NC	N.C.	N.C.	N3C1	-15V
3	D4	+15	R3D	N.C.	N.C.	SPL	GND
4	D5	-15	N3C1	N.C.	MD7	C3	GND
5	D6	N.C.	N3C5	N.C.	MD6	GND	DAC1
6	D7	+5	N3C5	N.C.	MD5	GND	GND
7	D8	N3E	N3C6	GND	MD4	FLG	DAC2
8	D9	WCLK	FLG	LUPIN	MD3	AMD4	+15V
9	D10	NEEN	N.C.	GND	MD2	AMD5	N.A.
10	D11	P3C	PC4	AUD.	MD1	AMD6	N.A.
11	D12	DLY	N3E1	GND	MD0	AMD2	N.A.
12	D13	FIN	F/DOH	+15	N.D.	AMD6	N.A.
13	D14	N.A.	N.A.	N.A.	N.C.	AMD7	N.A.
14	D15	N.A.	N.A.	N.A.	N.C.	AMD7	N.A.
15	D16	N.A.	N.A.	N.A.	N.C.	AMD0	N.A.
16	D1	N.A.	N.A.	N.A.	N.C.	Z/B	N.A.

DRAWN		D.C.	DATE	7-10-85
CHECKED				
ENGINEER				
REVIEW				
APPROVAL				
APPROVED				

Eventide LITE LINE, P.A. USA

SCHEMATIC
RV 228

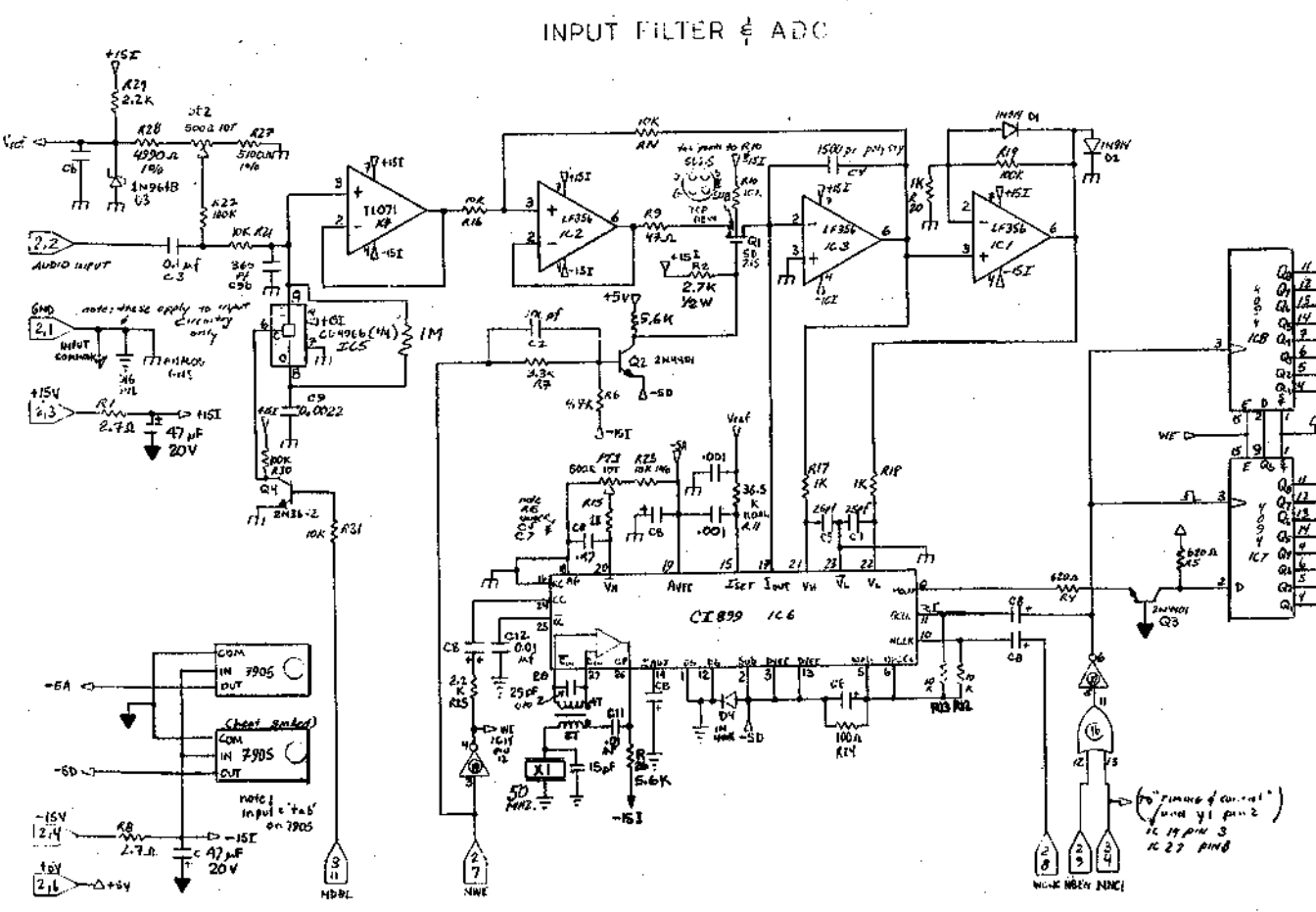
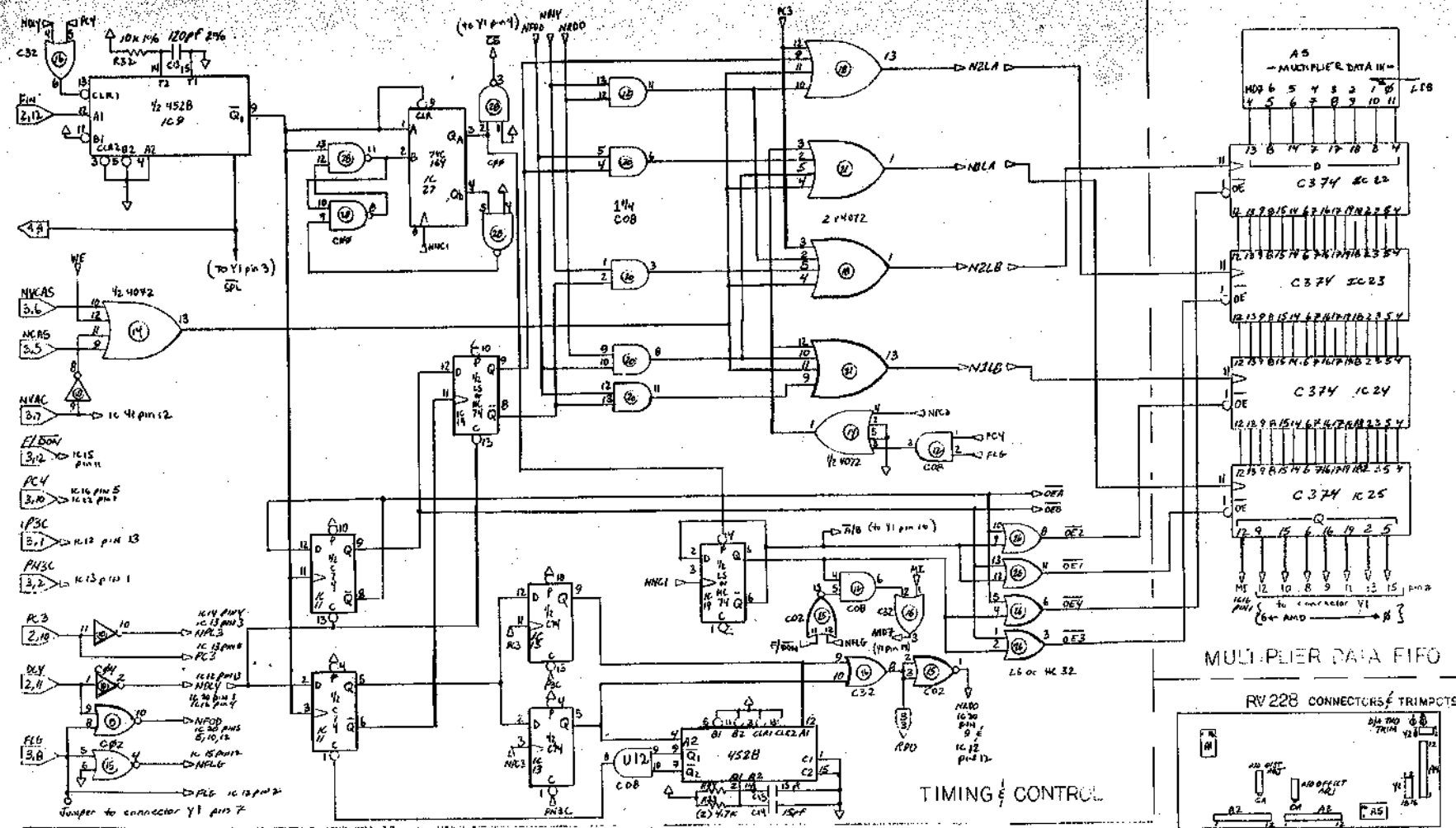
SIZE **D** 132029 REV **E**

SCALE NONE SHEET 1 OF 1

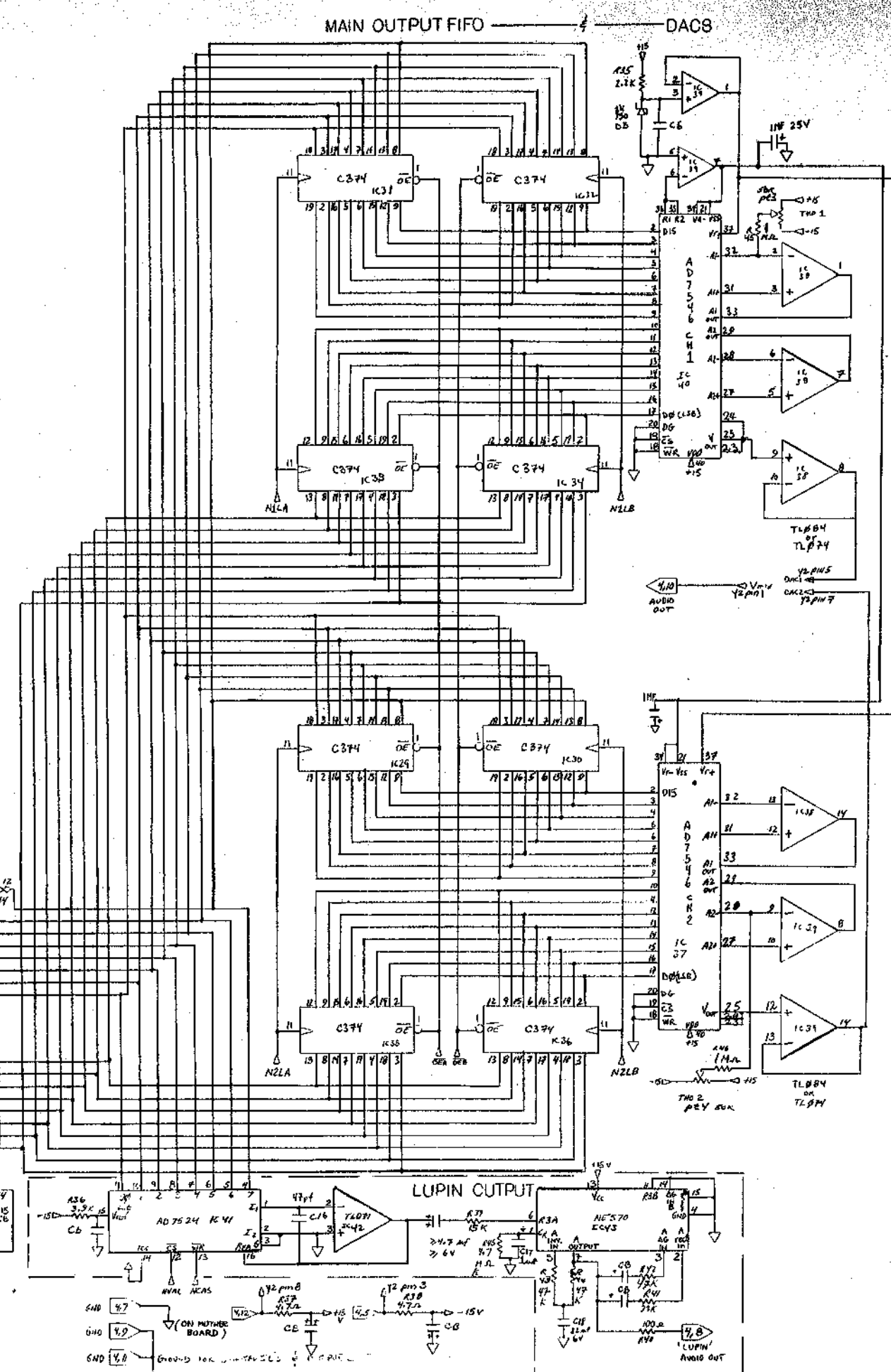
BRUNING 00324-8224

132029

OLD

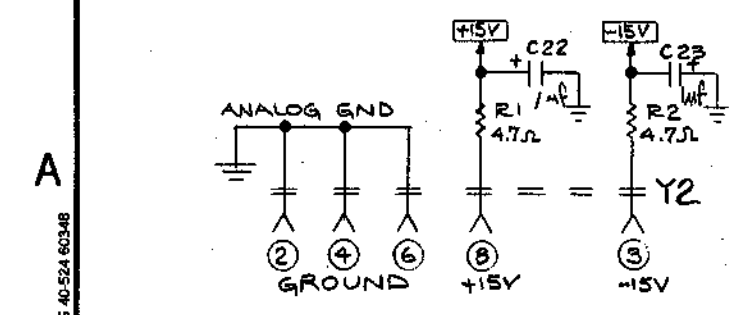
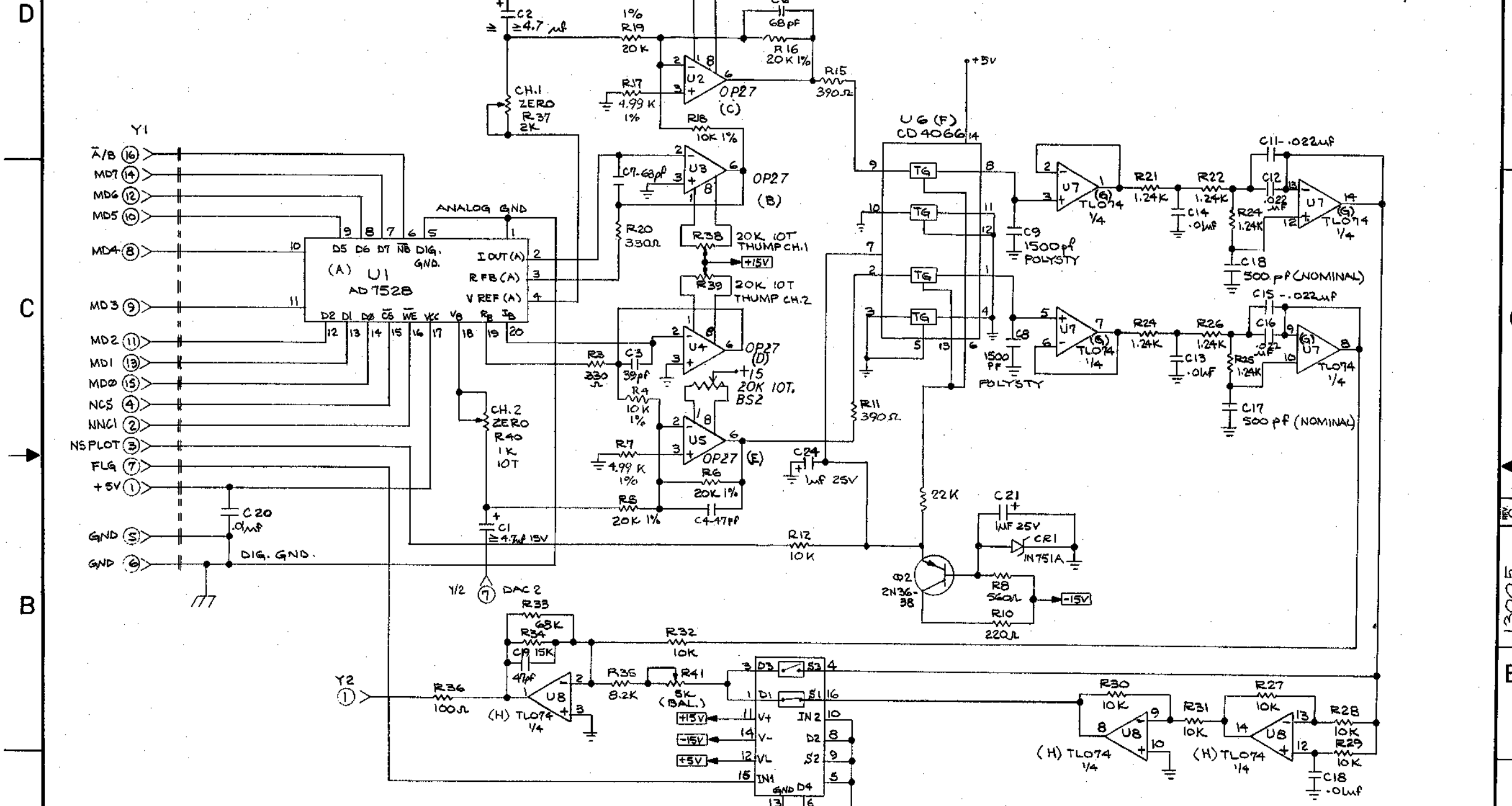


Pin	Symbol	Function	Notes
1	DB	DB	
2	D3	VIN	
3	M	+15	
4	AS	-15	
5	DE	N.C.	
6	D7	+5	
7	DB	NWE	
8	D9	NWCK	
9	D10	NWEN	
10	D11	PC3	
11	D12	DEY	
12	D13	FIN	
13	D14	N.A.	
14	D15	N.A.	
15	D16	N.A.	
16	D17	N.A.	



CHANGED 9/20/85 (TO REV E)

REVISIONS			
LTR	DESCRIPTION	DATE	APPROVED
A	NEW RELEASE	2-11-85	J.P.
B	CHANGED AS PER MARKED UP PRINT	5-14-85	J.P.
C	CHANGES PER ECR 121	9/24/85	J.P.



TLO74 PIN 4 = +15V
 PIN 11 = -15V
 OP27FP PIN 4 = -15V
 PIN 7 = +15V

ALL RES. ARE 1/4W 5%
 EXCEPT 1% WHERE IND.
 Y1 = 16 PIN .1" DOUBLE ROW CON.
 Y2 = 6 PIN .1" DOUBLE ROW CON.

DASH NO.		NEXT ASSY		USED ON		FINISH	
APPLICATION							

QTY REQD	ITEM	PART NO.	NOMENCLATURE OR DESCRIPTION

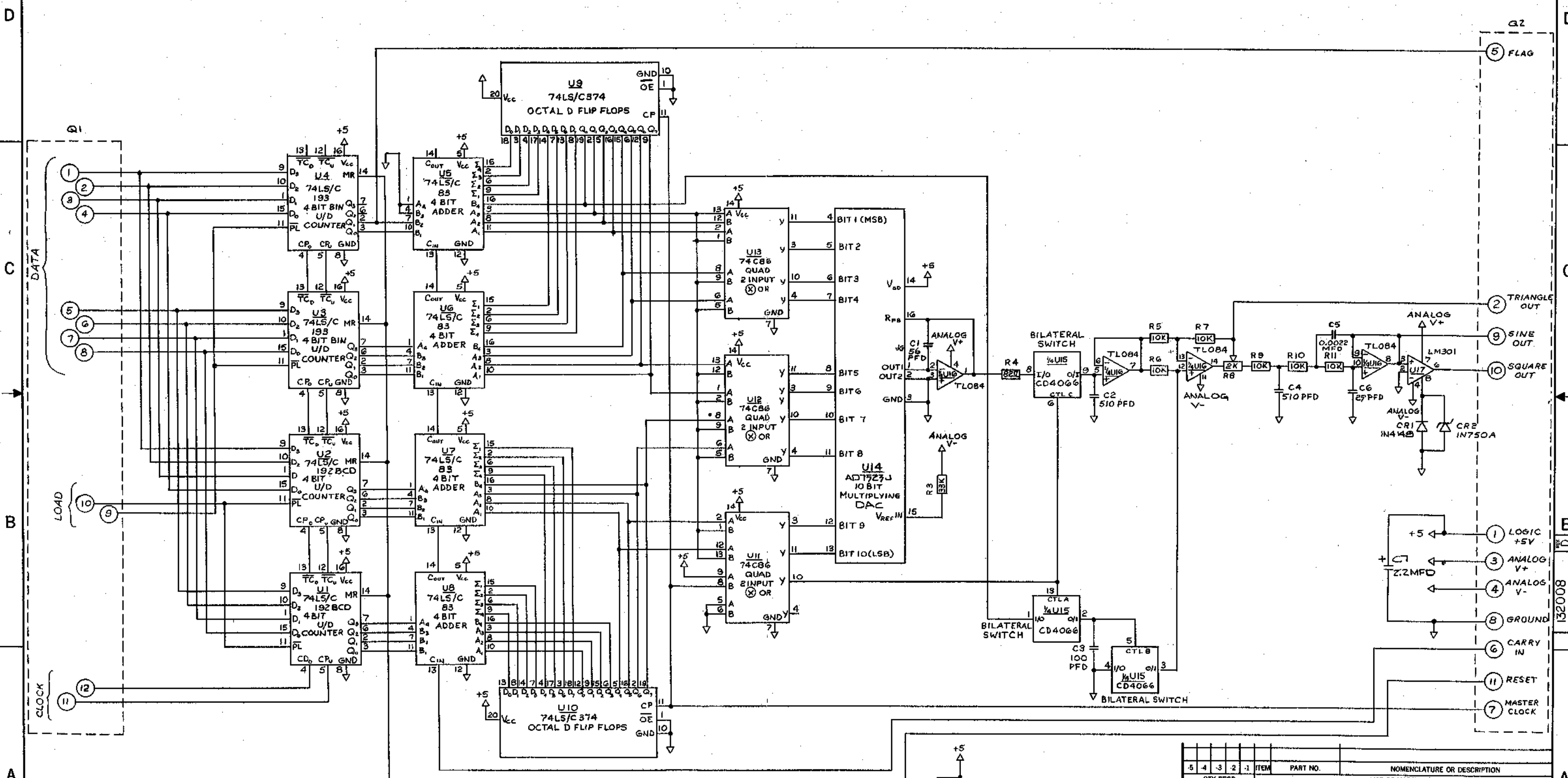
UNLESS OTHERWISE SPECIFIED DIMENSIONS ARE IN INCHES TOLERANCES ON FRACTIONS DECIMALS ANGLES	DRAWN Z. LEI/WAT	DATE 2-8-85
CHECKED	ENGINEER	REVIEW
APPROVAL	APPROVAL	APPROVAL

Eventide		LITTLE FERRY, N.J. 07643	
RV 232 SCHEMATIC			
HARM 969			
SIZE C	SCALE	REV C	SHEET 1 OF 1

BRUNING 40-524 80348

13005

REVISIONS			
REV	DESCRIPTION	DATE	APPROVED
D	REVISED	2/14/84	[Signature]



ITEM	HIGHEST	NOT USED
RESISTORS	12	
CAPACITORS	7	
IC'S	17	
DISCRETE	2	

QTY REQD	ITEM	PART NO.	NOMENCLATURE OR DESCRIPTION
	1		LOGIC +5V
	2		ANALOG V+
	3		ANALOG V-
	4		GROUND
	5		CARRY IN
	6		RESET
	7		MASTER CLOCK
	8		TRIANGLE OUT
	9		SINE OUT
	10		SQUARE OUT

DATE	DATE	DATE	DATE
7/6/84	7-9-84	7/14/85	

DRAWN MWM
 CHECKED [Signature]
 ENGINEER [Signature]
 REVIEW [Signature]
 APPROVAL [Signature]
 DASH NO. []
 NEXT ASSY []
 USED ON []
 FINISH []
 APPLICATION []

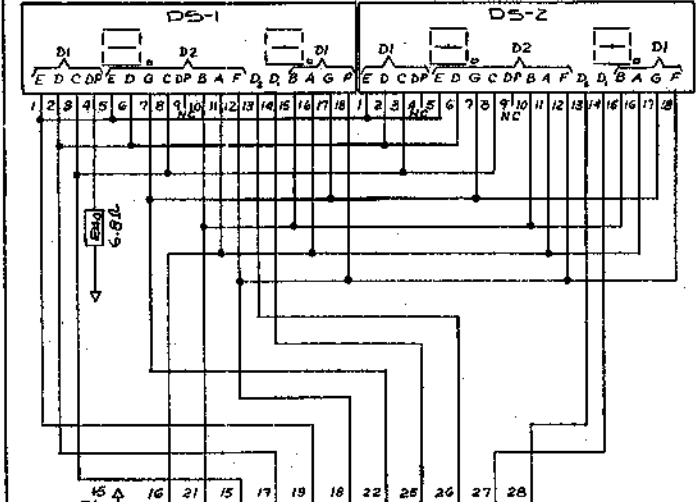
LIST OF MATERIALS
Eventide TITLE FEET, R.I. 8945
 H969 QSYN II SCHEMATIC
 SIZE D 132008
 SCALE [] SHEET 1 OF 1

REVISIONS			
REV	DESCRIPTION	DATE	APPROVED
A	REVISED	2-24-84	PC
B	REVISED	5-11-85	SR
C	CHANGED VALUE CS: C4 TO 47µF	5-11-85	SR

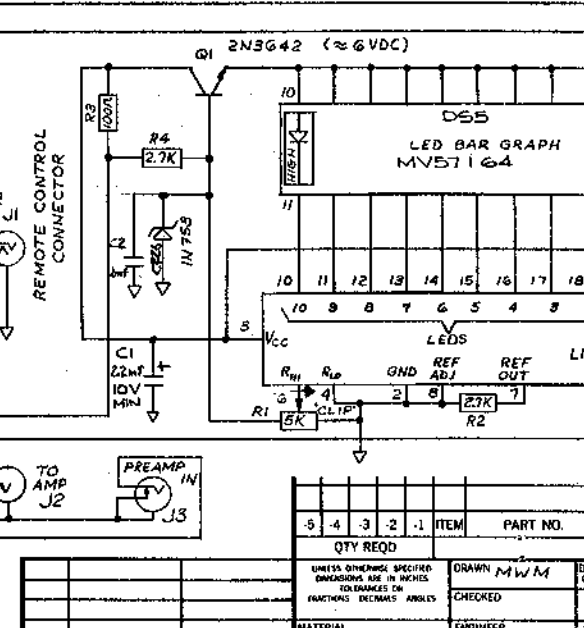
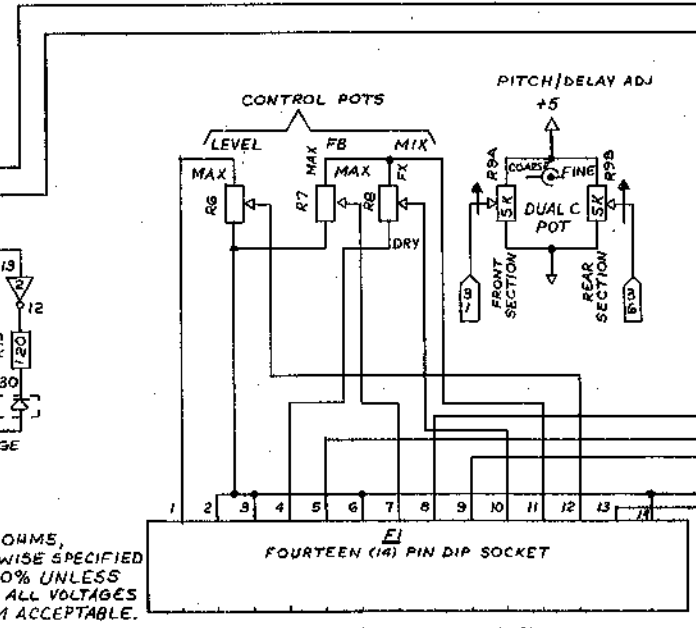
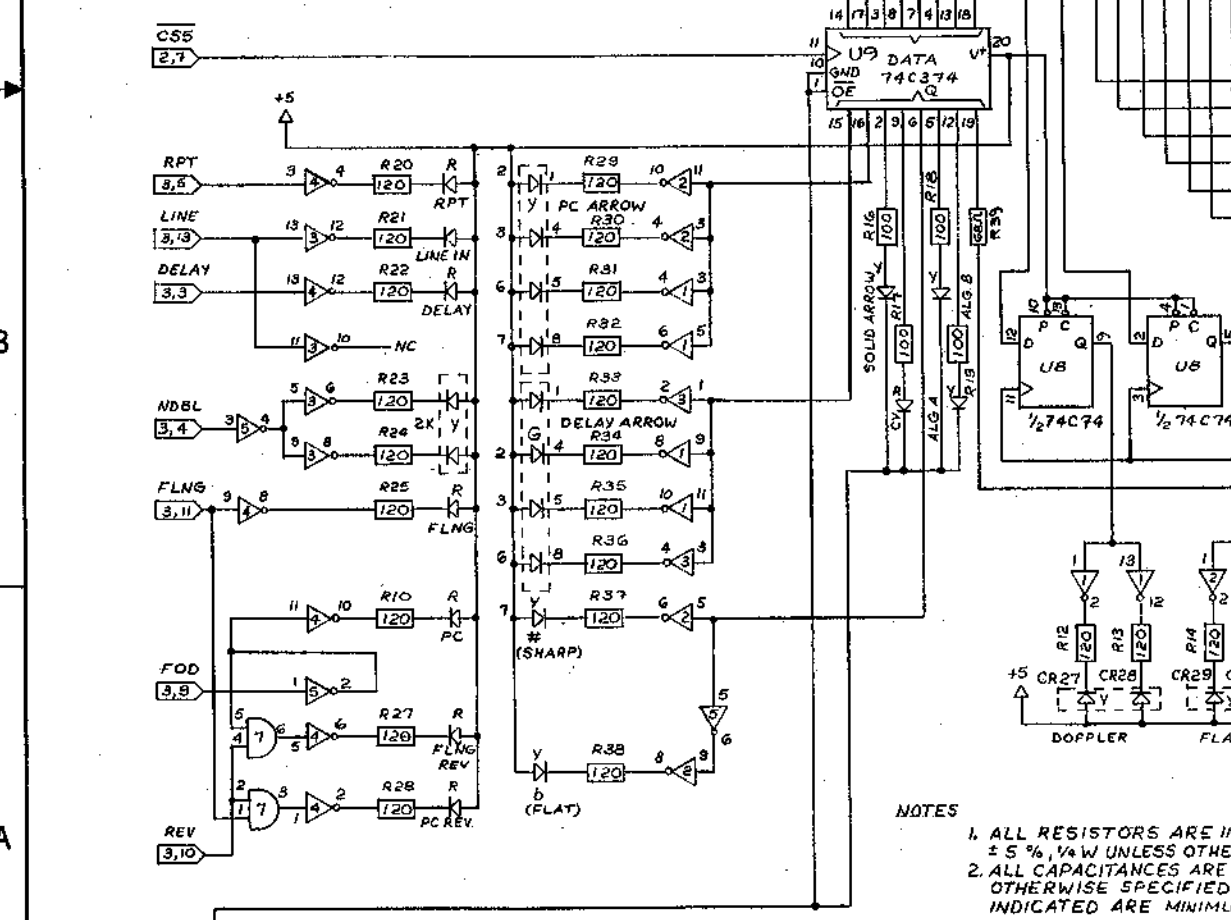
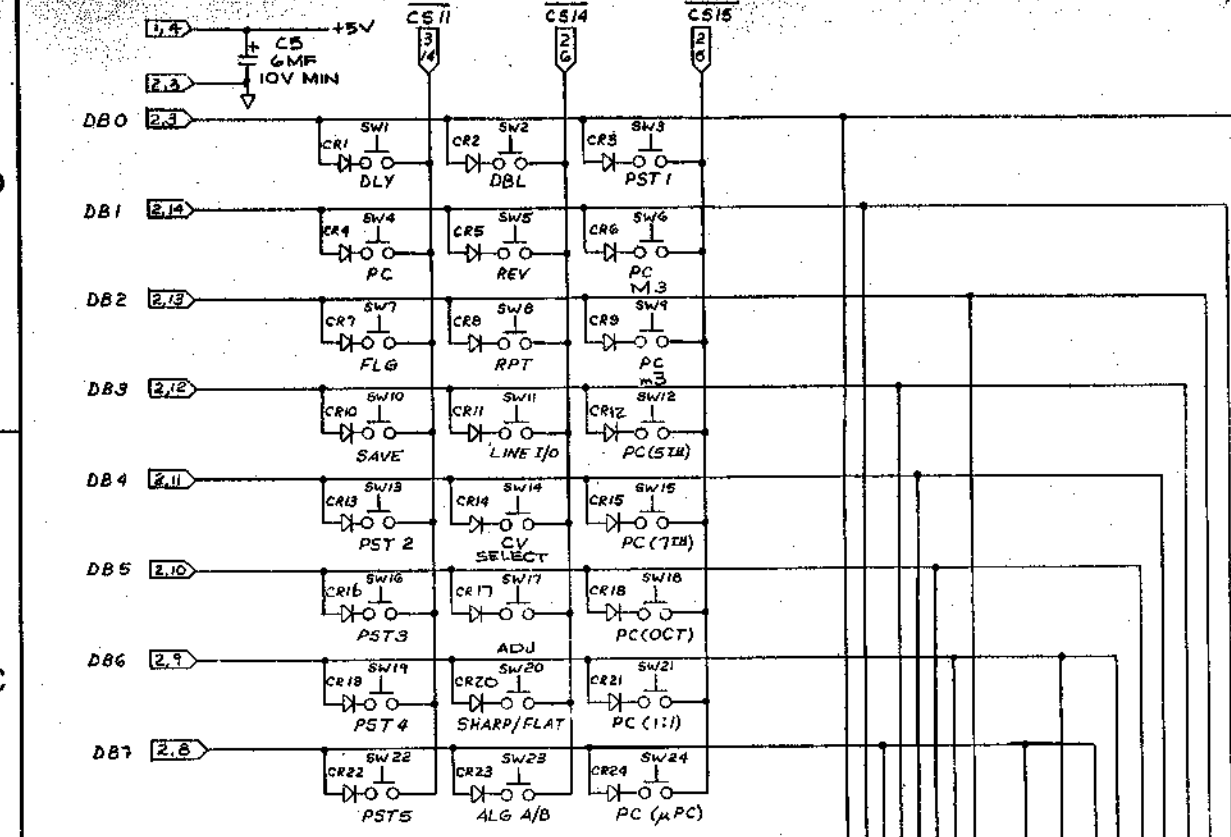
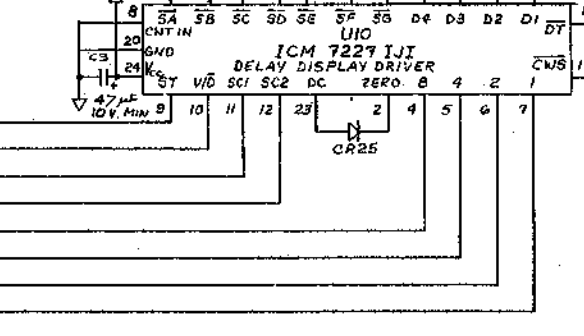
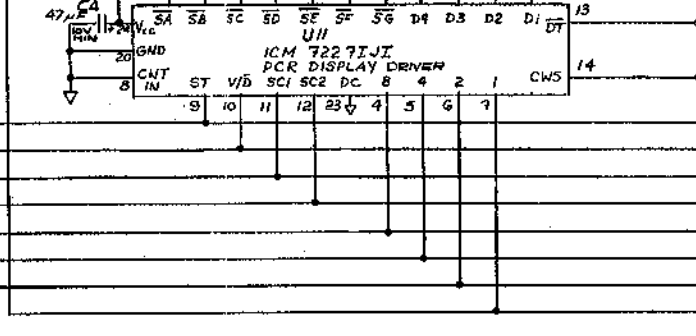
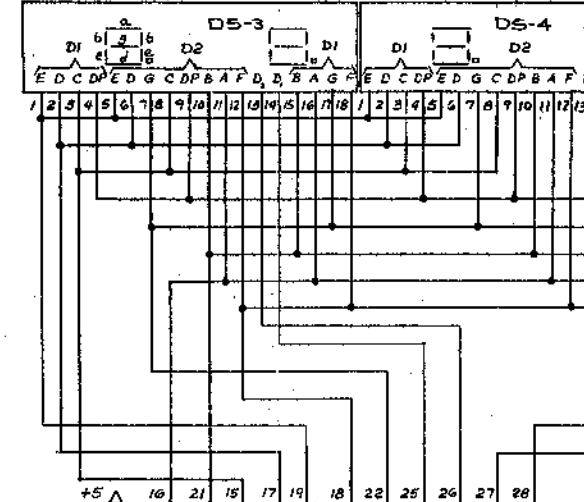
DES	PART NUMBER	TYPE	DESCRIPTION
U1	207056	7416	HEX INVERTER (OC)
U2	207056	7416	HEX INVERTER (OC)
U3	207056	7416	HEX INVERTER (OC)
U4	207056	7416	HEX INVERTER (OC)
U5	206004	74LS04	HEX INVERTER (OC)
U6	-	-	NOT USED

DES	PART NUMBER	TYPE	DESCRIPTION
U7	206006	74LS08	QUAD 2ND IN AND
U8	206312	74C74	DUAL D FLIP FLOP
U9	206343	74C374	BYTE WIDE LATCH
U10	204002	ICM7227 IJI	COM ANODE DSP DRVR
U11	204002	ICM7227 IJI	COM ANODE DSP DRVR
U12	210008	LN 3915 N	LED DRIVER (3DB)

PITCH CHANGE RATIO DISPLAY (YELLOW)
LAB03Z-11 (FOUR DIGIT COMMON ANODE) LAB03Z-11



DELAY DISPLAY (GREEN)
LAB03Z-11 (FOUR DIGIT COMMON ANODE) LAB03Z-11



NOTES
1. ALL RESISTORS ARE IN OHMS, ± 5%, 1/4W UNLESS OTHERWISE SPECIFIED
2. ALL CAPACITANCES ARE 20% UNLESS OTHERWISE SPECIFIED. ALL VOLTAGES INDICATED ARE MINIMUM ACCEPTABLE.

NOTE: PREAMP-IN PLUG SHORTED IF INSTRUMENT NOT CONNECTED

DRAWING 40-524-8024B

QTY REQD	ITEM	PART NO.	NOMENCLATURE OR DESCRIPTION
	5		
	4		
	3		
	2		
	1		

DATE	BY	REVIEW	APPROVAL
2/22/84	MWM		

DASH NO.	NEXT ASSY	USED ON	FINISH

SCALE	REV
D	C

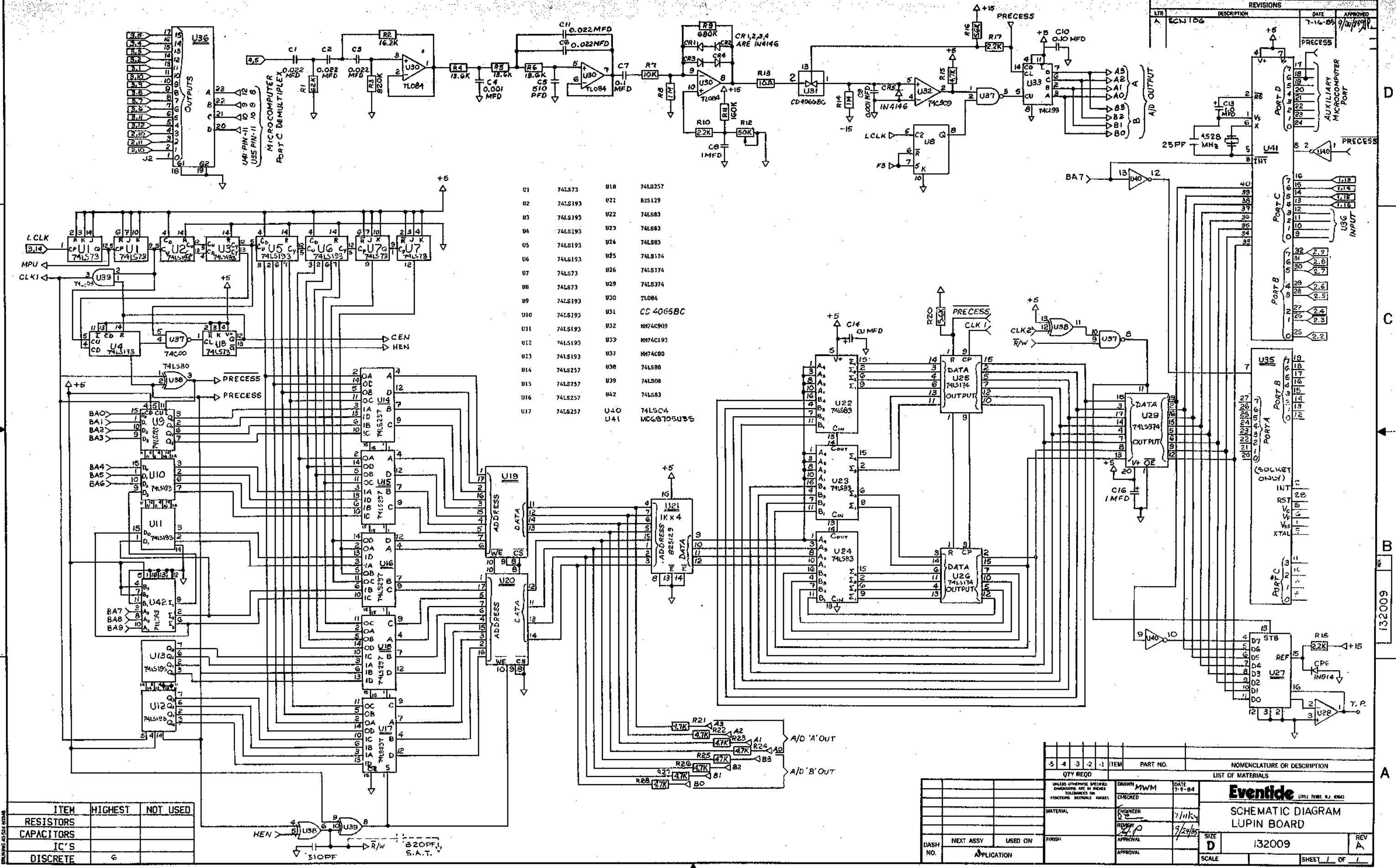
SIZE	132007
SHEET	1 OF 1

Eventide

SCHEMATIC DIAGRAM
HARMONIZER 969 FRONT PANEL

D
C
B
A

REVISIONS			
LTR	DESCRIPTION	DATE	APPROVED
A	ECN 102	7-16-84	[Signature]



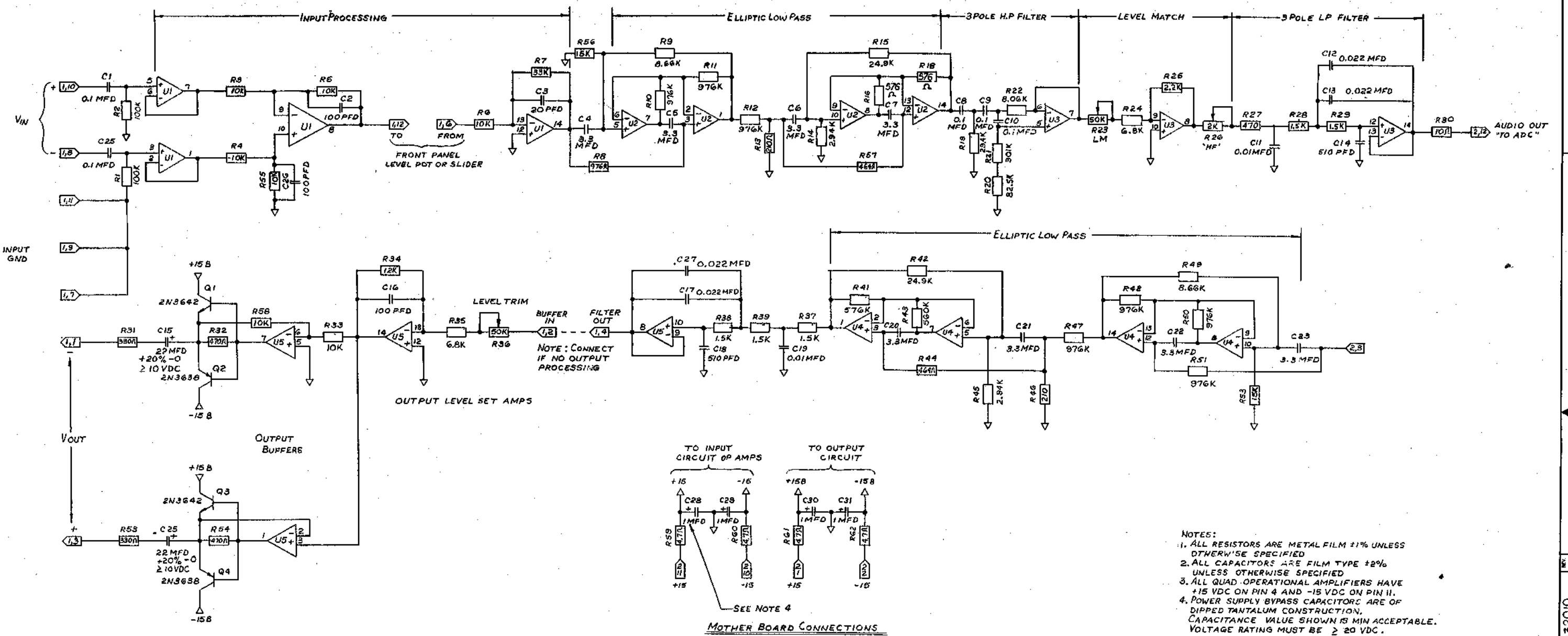
U1	74LS73	U18	74LS257
U2	74LS193	U21	825129
U3	74LS193	U22	74LS83
U4	74LS193	U23	74LS83
U5	74LS193	U24	74LS83
U6	74LS193	U25	74LS174
U7	74LS73	U26	74LS174
U8	74LS73	U29	74LS374
U9	74LS193	U30	TL084
U10	74LS193	U31	CD 4066BC
U11	74LS193	U32	MM74C909
U12	74LS193	U33	MM74C193
U13	74LS193	U37	MM74C00
U14	74LS257	U38	74LS80
U15	74LS257	U39	74LS80
U16	74LS257	U42	74LS83
U17	74LS257	U40	74LS04
		U41	MC680505US

ITEM	HIGHEST	NOT USED
RESISTORS		
CAPACITORS		
IC'S		
DISCRETE	6	

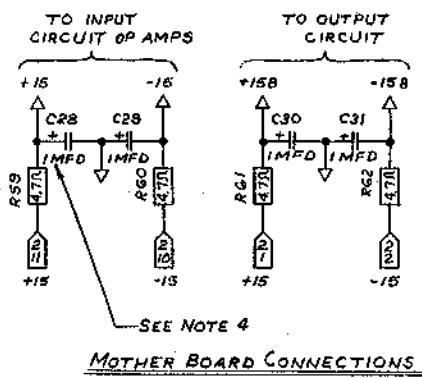
5	4	3	2	1	ITEM	PART NO.	NOMENCLATURE OR DESCRIPTION
					QTY REQD		LIST OF MATERIALS
					UNLESS OTHERWISE SPECIFIED DIMENSIONS ARE IN INCHES TOLERANCES ON FRACTIONS DECIMAL ANGLES		
					DRAWN	MWM	DATE 7-1-84
					CHECKED		
					ENGINEER		7/1/84
					REVIEW		7/2/84
					APPROVAL		
DASH NO.	NEXT ASSY	USED ON	FINISH	SCALE	SIZE D 132009 REV A		
	APPLICATION				SHEET 1 OF 1		

132009

REVISIONS			
LT#	DESCRIPTION	DATE	APPROVED
			9/25/85



- NOTES:
1. ALL RESISTORS ARE METAL FILM ±1% UNLESS OTHERWISE SPECIFIED
 2. ALL CAPACITORS ARE FILM TYPE ±2% UNLESS OTHERWISE SPECIFIED
 3. ALL QUAD OPERATIONAL AMPLIFIERS HAVE +15 VDC ON PIN 4 AND -15 VDC ON PIN 11.
 4. POWER SUPPLY BYPASS CAPACITORS ARE OF DIPPED TANTALUM CONSTRUCTION. CAPACITANCE VALUE SHOWN IS MIN ACCEPTABLE. VOLTAGE RATING MUST BE ≥ 20 VDC.



DESIGNATION	ET NO	TYPE
U1	210017	TL084
U2	210017	TL084
U3	210017	TL084
U4	210017	TL084
U5	210017	TL084

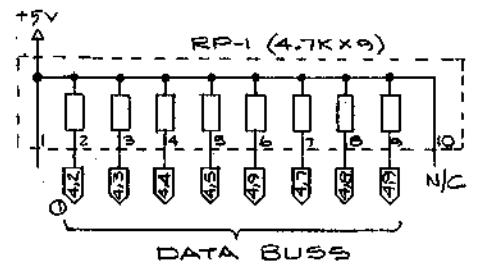
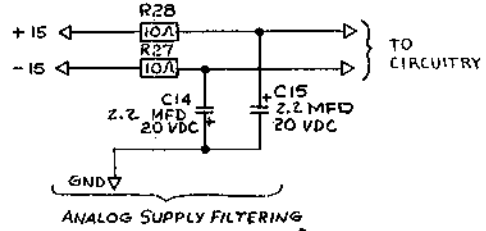
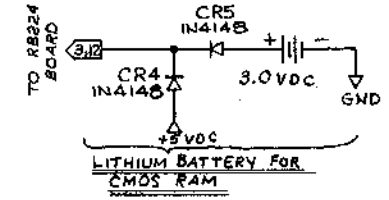
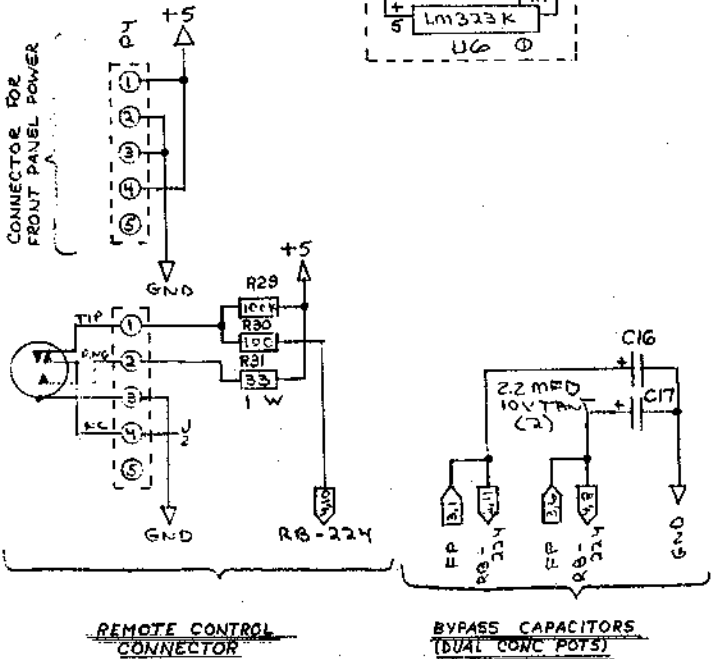
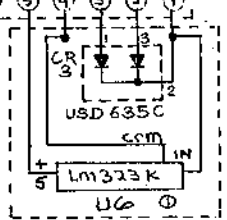
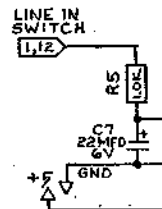
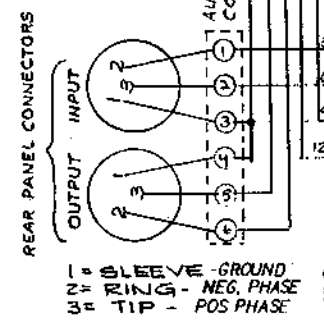
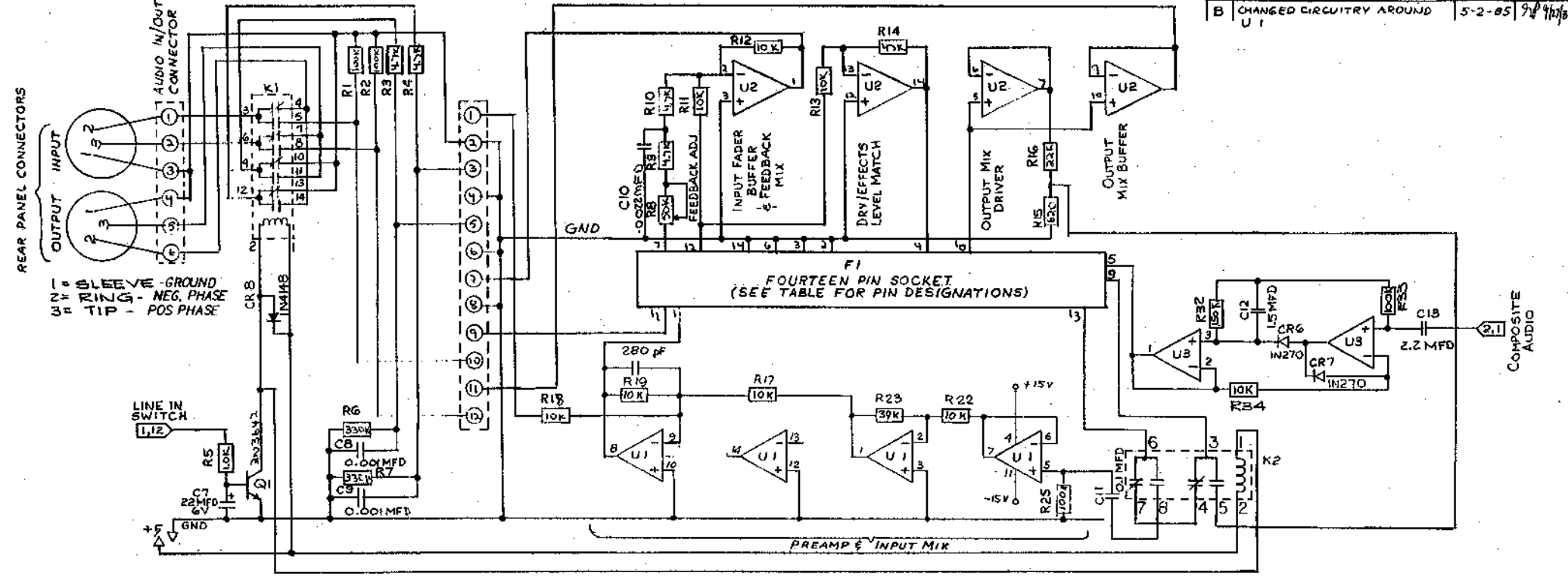
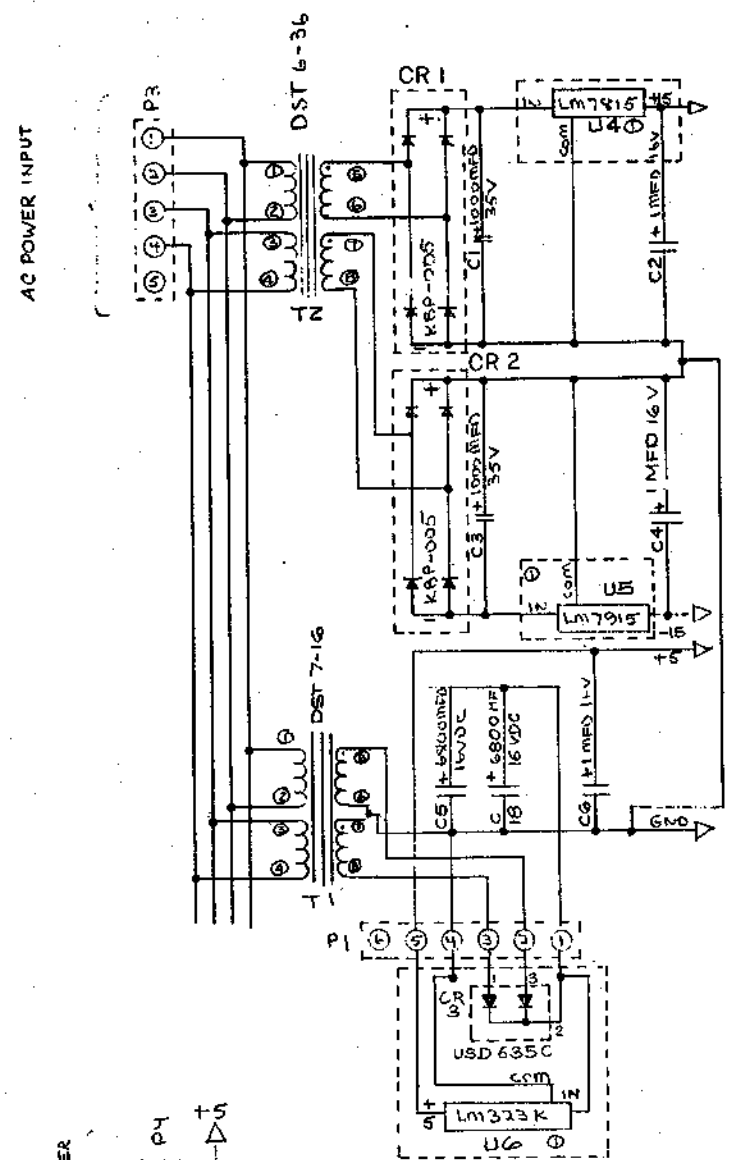
ITEM	HIGHEST	NOT USED
RESISTORS	62	
CAPACITORS	31	
IC'S	5	
DISCRETE	4	

QTY REQD		ITEM	PART NO.	NOMENCLATURE OR DESCRIPTION
LIST OF MATERIALS				
DRAWN MWM		DATE 9/26/84	Eventide	
CHECKED J.P.		9/23/84	SCHEMATIC DIAGRAM	
ENGINEER			RV230	
REVIEW			UNIVERSAL FILTER BOARD	
APPROVAL			SIZE D	132010
APPROVAL			SCALE	SHEET 1 OF 1

86154000 40-522 00-00

132010

REVISIONS			
LTR	DESCRIPTION	DATE	APPROVED
A	REMOVED DIODE BRIDGE ADDED SCHOTTKY DIODES & C18	12-18-84 RCN 102	<i>[Signature]</i>
B	CHANGED CIRCUITRY AROUND U1	5-2-85	<i>[Signature]</i>



F1 FUNCTIONS

PIN	FUNCTION	PIN	FUNCTION
7	WIPER FEEDBACK	14	GND
6	GND	12	PREAMP IN
5	BARGRAPH DRV	11	FEEDBACK
4	DRY FEED	10	EFFECTS
3	GND	9	MIX WIPER
2	GND	8	LOW LEVEL OUT
1	TOP OF LEVEL POT	7	+15 VDC

DES	ET NO	TYPE
U1	210014	TL074
U2	210014	TL074
U3	210010	TL082

ALL AMPLIFIERS HAVE VCC+ ON PIN 4 AND VCC- ON PIN 11

NOTES
1. CR3, U4, U5 AND U6 MOUNTED ON REAR PANEL.

ITEM	HIGHEST	NOT USED
RESISTORS	34	
CAPACITORS	15	
IC'S	6	
DISCRETE	1	

ITEM	PART NO.	NOMENCLATURE OR DESCRIPTION
5		
4		
3		
2		
1		

DATE	BY	REVISION
7-11-84	MWM	1
7/1/85	RC	2

Eventide LITTLE FERRY, N.J. 07643

SCHEMATIC DIAGRAM
H 969 MOTHER BOARD

SIZE D 132011 REV B

DASH NO. APPLICATION

SCALE ~ SHEET 1 OF 1